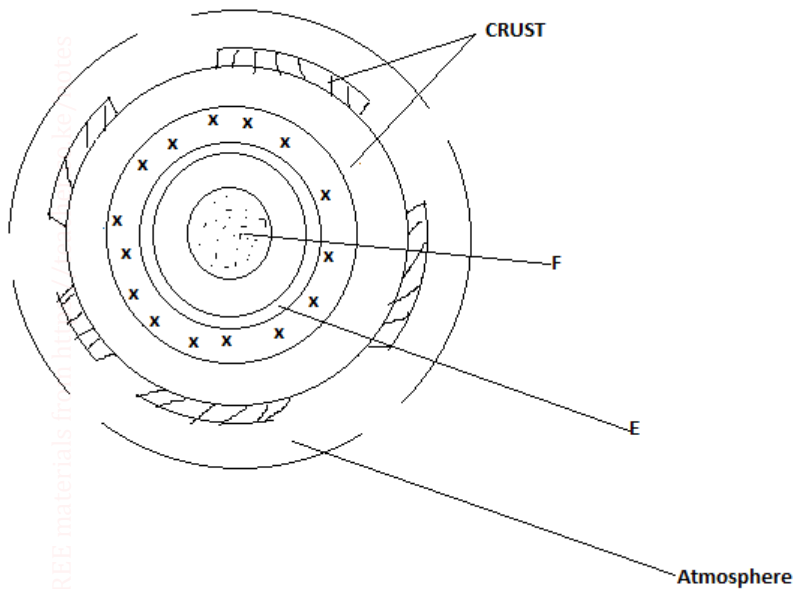


**FORM THREE GEOGRAPHY
HOLIDAY ASSIGNMENT
APRIL, 2024**

1. The diagram below shows the structure of the earth. use it to answer (a)



- (a) Name the parts marked E and F (2mks)
- (b) State three characteristics of the atmosphere (3mks)
- 2 (a) Identify two forms of rock metamorphism (2mks)
- (b) State the exclusive equivalent of the following intrusive igneous rocks
- (i) Granite (1mk)
- (ii) Diorite (1mk)
- (iii) Gabbro (1mk)
- 3 (a) What is a seismic wave? (2mks)
- (b) State three ways in which earth quakes affect human activities. (3mks)
4. (a) Differentiate between illuviation and salinization. (2mks)
- (b) State three importance of water as a soil property. (3mks)
- 5 (a) Identify two types of deltas. (2mks)

- (b) State three conditions ideal for the formation of a delta (3mks)

6. Study the data in the following table and answer questions (a) and (b). Kenya leading imports by value (Ksh Million)

Crop/year	Wheat	Maize	Rice	Coca
2006	5400	4700	2000	700
2007	7200	3800	2600	420
2008	6400	1400	1900	580
2009	6800	4600	2400	800

- (a) Calculate the percentage increase in expenditure on importation of wheat in the year 2006 and 2007 (2mks)
- (b) (i) Draw a compound bar graph to represent the Kenya's leading import crops by value between 2006 and 2009 (8mks)
- (ii) State two advantages of using compound bar graphs to represent data (2mks)
- (c) State four reasons why Kenya imports maize, wheat and rice and she still produces them? (4mks)
- c(i) State physical conditions favouring wheat growing in Kenya (3mks)
- (ii) Explain three reasons why Canada produces more wheat than Kenya (3MKS)

- 7 Differentiate between fissure and vent eruption (2mks)

- (b) Describe how the following features are formed

- (i) Batholiths (6mks)
- (ii) Volcanic plug (5mks)

- (c) Explain three negative effects of volcanicity on human activities (6mks)

- (d) You are planning to carry out a field study on features formed by volcanicity on the landscape

- (i) Formulate two null hypotheses for the study (2mks)
- (ii) Name two drainage features you are likely to study (2mks)