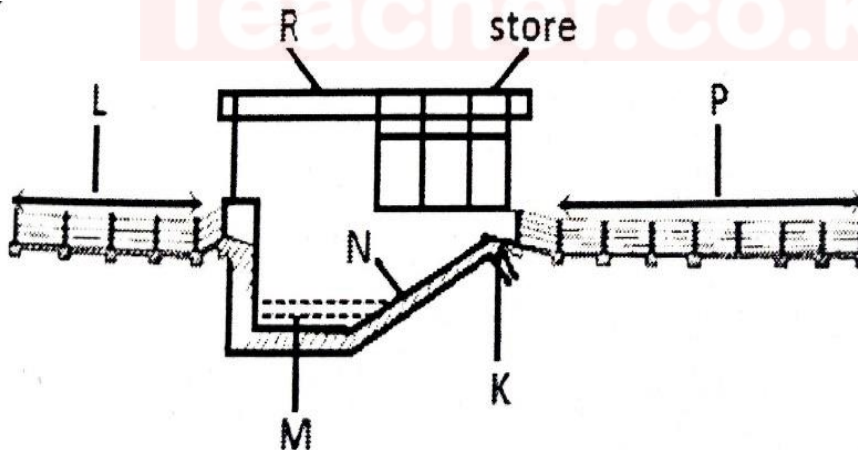


APRIL HOLIDAY ASSIGNMENT AGRICULTURE FORM 3

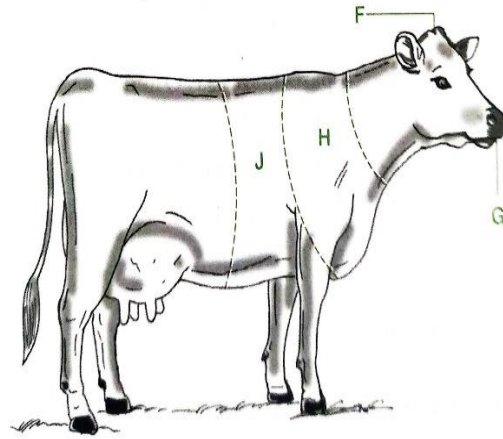
1. Give **one** reason why fresian's milk is more whitish while jersey milk is yellowish. (1 mark)
2. Differentiate between **drift** and **pen lambing**. (1 mark)
3. State three methods of chemical treatment of timber. (3 marks)
4. Define the following term as used in livestock production.
 - i) Crutching (1mark)
 - ii) Farrowing (1 mark)
5. Name **four** characteristics of dairy cattle breeds. (2 marks)
6. State **four** reasons why bees may swarm from a hive. (2 marks)
7. State **three** functions of ventilation in a pig house. (3 marks)
8. Give **two** reasons for carrying out the following practices in sheep. (2 mark)
 - i) Docking
 - ii) Ringing
9. Name **four** post-harvesting practices in fish. (2 marks)
10. What is the gestation period of the following farm animals? (2 marks)
 - i) Goat
 - ii) Pig
11. I) What is outbreeding? (1 mark)
 II) List **three** advantages of out breeding (3 marks)
12. Name **four** livestock production tools that must be used together (complementary tools)
 - i) State **two** advantages of **A** over **B** (2 marks)
 - ii) Give **two** maintenance practices for the named beehives (2 marks)

13. The diagram below illustrates a livestock handling structure.



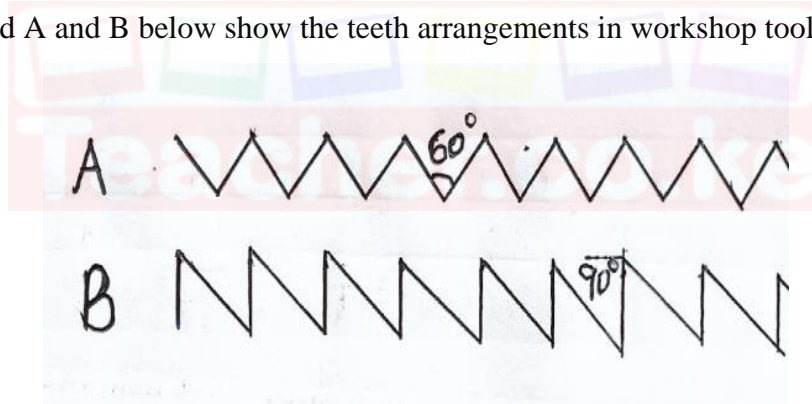
- a) Identify the structure. (1 mark)
 - b) Name parts K, M, N and P. (4 marks)
14. A farmer wishes to prepare **500 kg** of dairy ration containing **40% crude protein**. He has maize meal containing **30% crude protein** and **Desmodium cake containing 60%** Calculate the amount of each **feedstuff** he will include in the ratio. Show your working. (4 marks)
 15. What term is used to describe a case where during parturition the hind legs come out first? (1mark)
 16. Give **three** methods of selection. (3marks)

17. Below is a diagram of a cow. Study it carefully and answer the questions that follow.



- a) Name the parts of the animal labelled F, G, H and J. (2 marks)
- b) On the same illustration, mark with letters indicated in brackets, where; (4 marks)
- (i) Branding should be done (B)
 - (ii) Vaccination should be carried out (V)
 - (iii) Body temperature should be taken (T)
 - (iv) Mastitis infection may occur (M)

18. The diagram labelled A and B below show the teeth arrangements in workshop tools.



- (a) Identify the tools represented by the teeth arrangement. A and B. (2marks)

A -
B -