



THE TIMER NATIONAL SERIES

JUNIOR SCHOOL ASSESSMENTS 2024

PRE- TECHNICAL STUDIES

{8}

JS 0032024

LEARNER'S NAME:

ASSESSMENT NO:

SCHOOL: DATE:

Waweru works in a production company in Jiji town. State 2 possible causes of fire in his work environment.

(2 marks)

1. _____

2. _____

3. Fire safety is instrumental in the society. Write one point to support this statement.

(1 mark)

A teacher wrote notes on various ways of securing data in an electronic device.

Name 2 such ways.

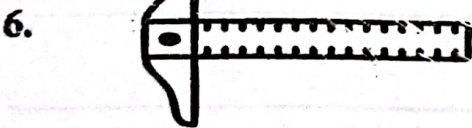
(2 marks)

4. _____

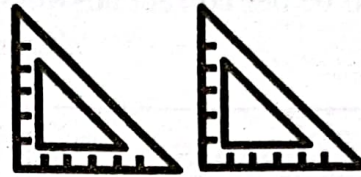
5. _____

The following materials are used in technical drawings. State their uses.

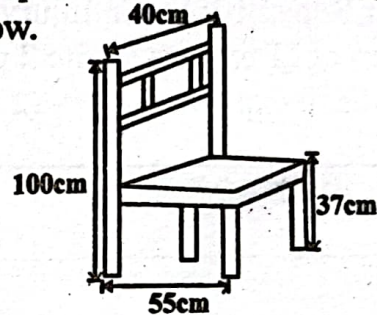
(2 marks)



7.



8. A carpenter made the drawing shown below.



Identify the type of drawing. (1 mark)

Name one household tool used for:

9. Striking _____ (1 mark)

10. Scooping _____ (1 mark)

During a computer lesson, Musa categorized computer hardware devices as shown below. Complete the table.

Input devices	Output devices
11. _____	12. _____
13. _____	14. _____

15. Carol wants to highlight a text she has composed on the computer. Identify the gadget she needs. _____ (1 mark)



Y



Z

A lab technician asked Zawadi to name some storage devices used in computing. What would be her correct answers?

(2 marks)

16. _____

17. _____

A health officer was explaining some causes of Repetitive Strain Injury (RSI) to a group of IT experts. Write 2 points she may have explained.

(2 marks)

18. _____

19. _____

20. Grade 7 learners watched a documentary on the importance of World Wide Web (WWW) in computer network. Write 1 importance they learnt.

(1 mark)

Local investors in Malimali shopping centre convened a meeting to ponder on various ways consumers can protect themselves from exploitation by traders. Write down some points they may have discussed.

(2 marks)

21. _____

22. _____

Today, consumers are protected by the government against exploitation of traders. Write 2 ways of this kind of protection.

(2 marks)

23. _____

24. _____

25. Mapesa asked his Pre-technical teacher to help him name the primary government financial regulator in Kenya. What would be the correct answer?

(1 mark)

Manyanga would like to market her goods through ICT platforms. Name 3 platforms ideal for this task.

(3 marks)

26. _____

27. _____

28. _____

In the modern world, communication comes in handy in business activities. Give 2 reasons for this.

(2 marks)

29. _____

30. _____