

Name..... Index No.....

School.....Signature.....

Date.....

443/2

MOMALICHE 3 CYCLE 8 JOINT EXAM

AGRICULTURE PAPER 2

2 HOURS

INSTRUCTIONS TO CANDIDATES

1. Write your name and index number in the spaces provided.
2. Sign and write the date of examination in the spaces provided above.
3. This paper consists of **three** sections A, B and C. Answer all questions in section A and B.
4. Answer **two** questions from Section C
5. Answer to ALL questions MUST be written in the spaces provided.

**FOR EXAMINER'S USE ONLY**

SECTION	QUESTIONS	MAXIMUM SCORE	CANDIDATE'S SCORE
A	1 – 19	30	
B	20-23	20	
C	24	20	
	25	20	
	26	20	
	<b>TOTAL SCORE</b>	<b>90</b>	

SECTION A (30MARKS)

Answer all question in the spaces provided

1. Name a pig breed with the following features White body colour, erect ears, dished snout, big in body size.

(½mk)

.....

2. What does the term '**epistasis**' mean in livestock improvement?

(1mks)

.....

3. Give four reasons of treating timber before roofing farm buildings. (2mks)

.....  
.....  
.....  
.....  
.....

4. State four abnormalities of eggs that can be detected during egg candling. (2mks)

.....  
.....  
.....  
.....  
.....

5. Give **two** parasites of cattle which are also disease vectors (1mks)

.....  
.....

6. State **four** ways of minimizing disowning of lambs by ewes (2mk)

.....  
.....  
.....  
.....  
.....

7. Name a tool used for tightening barbed wires fencing (½ mk)

.....

8. Mention two predisposing factors of foot rot disease in sheep (1mk)

.....  
.....

9. State four advantages of hedges (2mks)

.....  
.....  
.....  
.....

10. (a) Define the term "Zoonotic disease" (1mk)

.....  
.....

(b) Give two examples of Zoonotic diseases (2mk)

.....  
.....

11. Name the three methods of livestock selection (1 ½ mks)

.....  
.....

12 Differentiate between the following breed terms. (2mks)

(i) Bull and Bullock

.....  
.....

(ii) Billy and Nanny

.....  
.....

13. Calculate how much of wheat (35%) D.C.P) would be mixed with sunflower feed cake (10%) D.C.P) to come up with 100kg duck mash 20% D.C.P. (3mks)

.....  
.....  
.....  
.....  
.....

14. State four good qualities of honey (2mks)

.....  
.....  
.....  
.....

15. State four desirable features of a rabbit hutch (2mks)

.....  
.....  
.....  
.....

16. State two importance of damp proof material in foundation of farm structures (1 mk)

.....

.....  
17. Why is it necessary to provide grit to birds

(1mk)

.....  
.....

18. Name three dual purpose breeds of cattle

(1 ½ mk)

.....  
.....  
.....  
.....

19. State four ways in which vaccines may be administered to animals

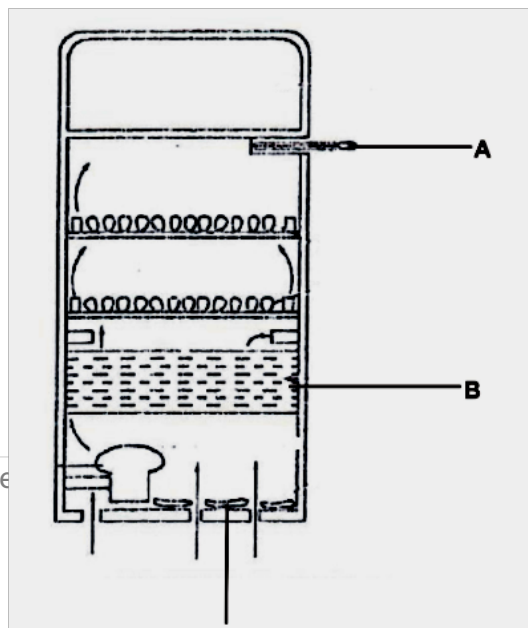
(2mks)

.....  
.....  
.....

### SECTION B

**Answer all the questions in this section in the spaces provided.**

20. The illustration below represents equipment used in poultry production. Study it carefully and answer the questions that follow.



(a) Identify the equipment (1 mk)

.....

(b) Name the parts labeled A, B and C (1 ½ mks)

A. ....

B. ....

C. ....

(c) What is the function of the parts labeled A, B and C (1 ½ mks)

A. ....

B. ....

C. ....

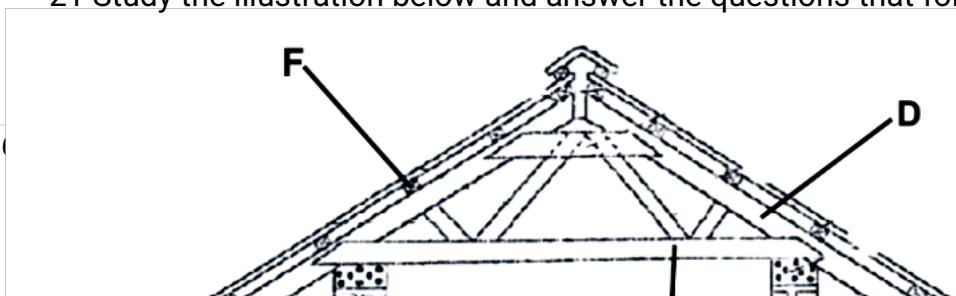
(d) Why is it important to turn the eggs around 180° every 6 – 8 hrs? (1 mk)

.....

.....

.....

21 Study the illustration below and answer the questions that follow.



(a) Identify the parts labeled D, E, F and G. (2 mks)

D. ....

E. ....

F. ....

G. ....

(b) State two uses of part labeled F (1 mk)

.....

.....

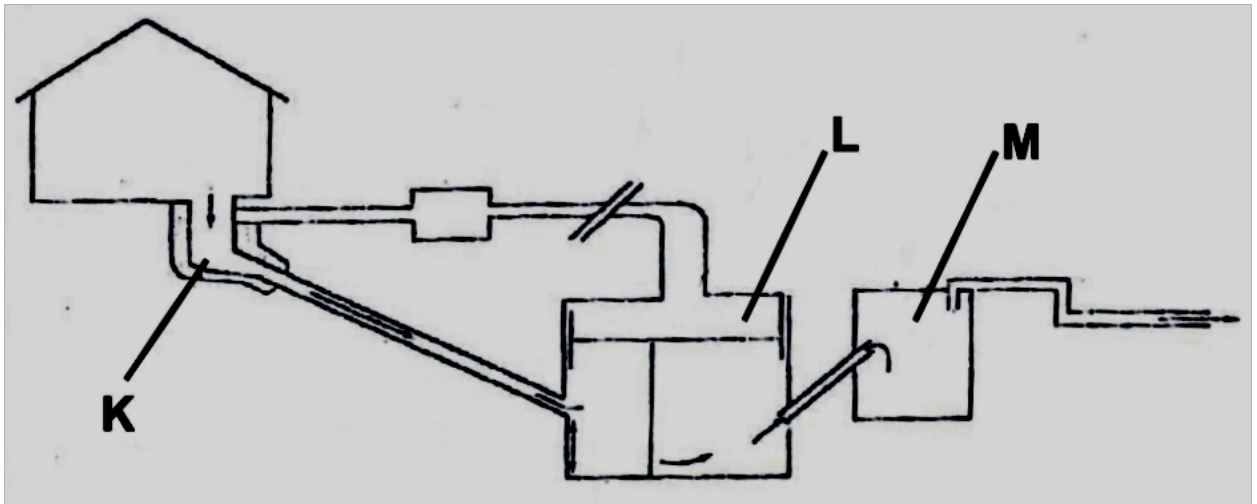
.....

(c) Outline two reasons why it is important to have the structure labeled G at the edge of the roofing materials (2 mks)

.....

.....

22 Study the diagram of a biogas plant below and answer the questions that follow.



(a) Name the main component of biogas that is trapped in part L. (1 mk)

.....

(b) Give the name and use of the materials deposited in the part labeled M (1 mk)

.....  
.....

(c) What is the component K in the biogas digester? (1 mk)

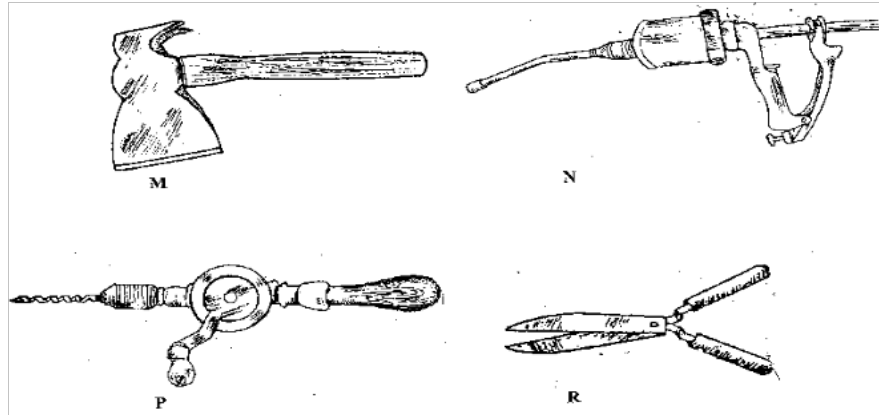
.....

(d) State two uses of biogas on the farm. (2 mks)

.....  
.....  
..

23 Below are illustrations of farm tools and equipment. Study them carefully and answer the questions that follows.





(a) Identify the above tools. (2mrks)

M.....

N.....

P.....

R.....

(b) State **one** main use of each tool. (1mrk)

M.....

R.....

(c) State two maintenance practices carried out on tool P. (2mrks)

.....  
 .....  
 .....

**SECTION C ( 40 MARKS )**

*Answer any TWO questions in this section.*

24. a) Describe Newcastle disease under the following sub-headings:

(i) causal organism; (1 mark)

.....

(ii) Signs of infection. (7marks)

.....  
 .....

.....  
.....  
.....  
.....  
.....

(iii) Control measures. (2 marks)

.....  
.....  
.....

(b) Describe the advantages of battery system of rearing layers. (10 marks)

.....  
.....  
.....  
.....  
.....  
.....  
.....  
.....  
.....  
.....  
.....

25. (a) Describe the biotic factors that affect livestock production. (8 marks)

.....  
.....  
.....  
.....  
.....  
.....

.....

(b) Explain four advantages of farm mechanization. (8 marks)

.....

.....

.....

.....

.....

.....

.....

.....

.....

.....

(c) State four factors that influence milk let-down in cows. (4 marks)

.....

.....

.....

.....

.....

26. (a) Describe the daily maintenance and servicing of a tractor before use. (10 marks)

.....

.....

.....

.....

.....

.....

.....

.....

.....

.....

(b) Explain five signs of ill-health in livestock.

(10 marks)

.....

.....

.....

.....

.....

.....

.....