



MASENO SCHOOL MOCK – 2022

Kenya Certificate of Secondary Education



450/2

Paper 2

AVIATION TECHNOLOGY

Sept. 2022 – 2½ hours

Name Admission Number

Class Date Candidate's Signature.....

Instructions to candidates

- Write your name and admission number in the spaces provided above.
- Write your class, date of examination and sign in the spaces provided above
- This paper consists of three sections: A, B and C
- There are ten stations in this examination
- Candidates are allowed 15 minutes at each station
- Candidates are not allowed to review the previous stations work or read instructions for other stations
- Write your name and index number on all projects
- Attempt all exercises in each station
- All dimensions are in millimeters unless otherwise stated.
- Candidates should check and confirm that all pages are well printed as indicated

For Examiner's Use Only

PERSEVERANCE
SHALL WIN THROUGH

Stations	1	2	3	4	5	6	7	8	9	10	TOTAL
Marks											

STATION 1**INSTRUCTION**

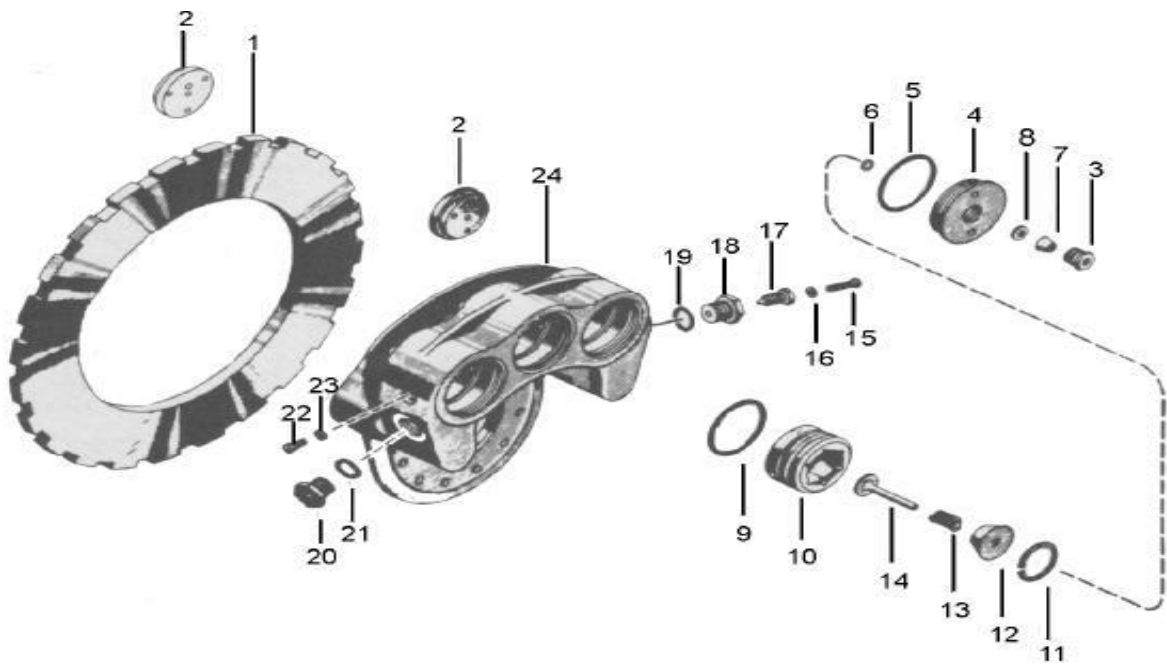
(a) Figure below show parts of a single disc brake system.

In the space provided, sketch in good proportion assembled diagram of the system.

(7marks)

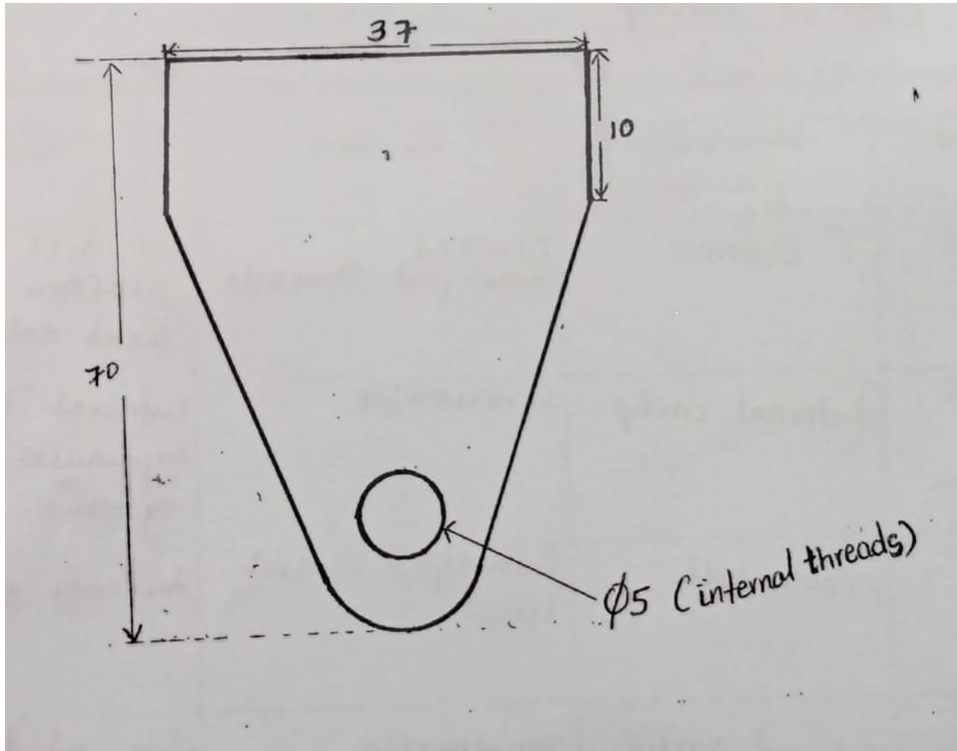
(b) Label six parts

(3marks)

**STATION 2**

INSTRUCTIONS

Using the tools, equipment and material provided make the drive key as shown in figure 2. (10marks)



STATION 3

INSTRUCTIONS

(a) Study and identify the components labelled as: (2marks)

Q.....



W.....

Z.....

O.....

(b) Describe the condition of the component and state where its applicable. (4marks)

Part	Identification	Condition	Application
Q			
W			
Z			
O			

(c) State the remedy action to be taken on component labeled: (2marks)

part	Remedy action
Q	
Z	

(d) Sketch and label 2 parts of component O. (2marks)

STATION 4

INSTRUCTIONS



(REST STATION)

STATION 5

INSTRUCTIONS

Carry out visual inspection of the aircraft tyre provided and do the following:

- (a) Identify four manufacturers specification and state the meaning of each: (4marks)

	Specification	Meaning
I		



ii		
iii		
iv		

(b) Identify two rejection criteria of the aircraft tyre. (2marks)

.....

(c) Explain the cause of your answer in (b). (1mark)

.....

(d) State the type of material used to make the aircraft tyre. (1mark)

.....

(e) Name the two markings labeled as R and S and state the importance of each during aircraft maintenance. (2marks)

	marking	importance
i		
ii		



STATION 6**INSTRUCTIONS**

The system components labelled M to Q are defective. in the table below record each component the name ,the defect and method of rectification (10marks)

Item	Name	Defect	Method Of Rectification
M			



N			
O			
P			
Q			

STATION 7

ISTRUCTIONS

(a) Name the tools labeled as and P. (2marks)

.....

(b) State the maintenance practice to be carried out on the each of the tool named above. (2marks)

.....

(c) Identify the locking mechanism displayed in the picture below. (1mark)





-
- (d) Using the tools and materials provided practice the locking method illustrated in the picture above and let the examiner check your work. (5marks)

STATION 8

INSTRUCTIONS

Study the instruments and components provided and answer the questions below.

- (a) I) Make a well cross section labelled diagram of the instrument provided labelled as K. (4marks)

ii) State the principle of operation of K.

(1mark)

(b) Identify the components labeled 1 and 2 then state the function of each. (2marks)

Component	Name	Function
1		
2		

(c) Sketch component 2 and label 2 parts. (2marks)

(d) State the principle of operation of component labelled 2. (1mark).



STATION 9

INSTRUCTIONS

(a) Identify the type of aircraft material labeled as: (4marks)

- i) 1.....
- ii) 2.....
- iii) 3.....
- iv) 4.....

(c) State where the material labelled as 3 and 4 are applied. (2marks)

3.....

4.....

(c) On the aircraft model provided, identify the type of material suitable to construct the parts labeled as:

(4marks)

part	name	Material
X		



Y		
Z		
P		

STATION 10

INSTRUCTIONS

- (a) Identify the type of tools labeled X and Y then state their functions. (2marks)

Tool	Name	Function
X		
Y		

- (b) Using the tools and material provided strip the wire end labelled 1 each part at 10mm.

(3marks)

- (c) In the spaces provided below illustrate the drawing of the stripped end and label parts of the cable. (2marks)



(d) Identify the type of cable.

(1mark)

(e) State the area of application of the cable.

(2marks)

